

633

ACCU-PRO SPIN/ RELIEF REEL GRINDER

**FOLEY
UNITED**



THE HIGHEST QUALITY GRIND IN THE WORLD JUST GOT EASIER!

SLIPPER



OPTIONAL ACCU-TOUCH 3 CONTROL

provides a step-by-step tutorial for new technicians and a quicker setup and spin grind feature for the more experienced operators. You tell the machine what you're working on and the machine does the rest. Pre-programmed spin speeds, relief torque, and in-feeds are only a few of the new features found in the ACCU-Touch 3.

4

FRONT ROLLER CLAMP

is adjustable to accommodate various rollers and groomers and the single clamp design moves up and down to set the height of the reel using the cylinder height stop.

5

COUNTER-BALANCED SPIN DRIVE

is easy to position and connect directly to the reel shaft, and the spin drive mounting system is easily moved from one side to another.

6

FOR DESIGN.

ACCU-PRO SPIN / RELIEF REEL GRINDER

Quality-of-cut and performance of your equipment is priority number one.

This is why we've engineered our 633 to grind however you want, so whether doing quick "touch-up" spin grinding or returning the reel to manufacturer specifications, nobody does either with more quality and efficiency than Foley United.

ACCU-Pro 633 Offers:

Automatic Placement features the Accu-Reel Selector and Cylinder Height Stop system that automatically locates the reel for a fast and easy spin and relief grind in one set-up.

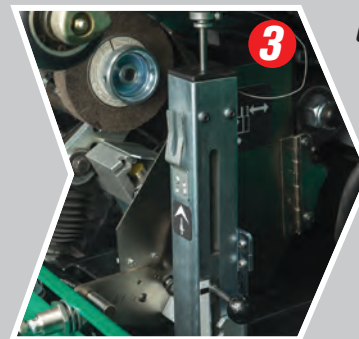
Preset Relief Angles are easily identified on the Relief Angle Adjuster, which makes it effortless to grind the correct angles and achieve proper clearances for each reel type.

Hands-Free Relief is a key feature that has courses around the world opting for grinders that do more than just spin grind, and when reconditioning your reels to "like-new", Foley United's patented Auto-Index relief system makes it easier than ever.



ACCU-REEL SELECTOR

allows for easy adjustment of the rear roller v-mounts and automatically positions the reel based on reel make and diameter. The heavy-duty rear clamp is easily installed to secure the rear roller.



CYLINDER HEIGHT STOP

is built into the gauging system and easily positions the reel height correctly for both the spin and relief grind processes.



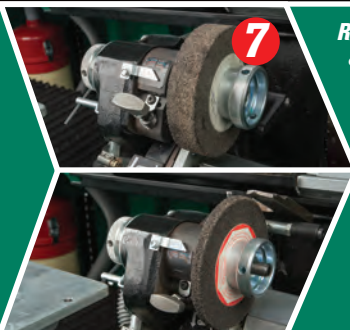
SLIDING REAR DOOR

is a counterbalanced design that makes loading reels from the rear of the machine using the optional Workstation table-lift or Electric Hoist easy, simple, and efficient.

LEARN MORE: www.foleyunited.com

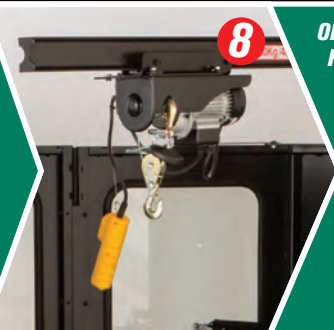
ACCU-POSITIONING GAUGE

uses an easy to read LED system and when opting for the ACCU-Touch 3 Control, the touch-screen displays a "bubble-style" graphic. Whatever you choose, you're always assured of grinding a perfect cylinder.



ROBUST GRINDING HEAD & RELIEF ASSEMBLY

provides accuracy that ensures a sharp edge in mere minutes when spin grinding, and includes a Relief Angle Adjuster that makes grinding correct angles easier than ever before.



OPTIONAL ELECTRIC HOIST

provides an overhead crane that has the capability to load reels from the front or rear of the machine.

633

ACCU-PRO SPIN / RELIEF REEL GRINDER

SPECIFICATIONS:

Part #	6330911
Power	115v, 50/60 cycle, Single phase, 20 amp
Weight	1,530 lbs (693 kg)
Grinding Wheel	Spin 5" x 1" (127 mm x 25 mm) Relief 5" x 3/8" (127 mm x 10 mm) Spin 3.5" x 1" (89 mm x 25 mm) Relief 3.5" x 3/8" (89 mm x 10 mm)
Carriage Base	1 HP AC grinding motor, totally enclosed, fan-cooled, 3450 RPM; Cogged traverse belt with 38" travel capacity; Two 1.000 +/- .00025 ground/polished steel shafts; 90 Volt DC traverse motor

STANDARD FEATURES:

- Spin and patented hands free Auto-Index relief capability in one set-up
- Complete surround guarding with electrically inter-locked retractable safety glass doors and rear lift gate
- Variable SPIN Speed, TRAVERSE Speed, RELIEF Torque
- Counter-Balanced Spin Drive and 8, 9, and 11 Spline Reel Drive Adapters
- Automatic reel positions using the Accu-Reel Selector, Front Roller Clamp, and Cylinder Height Stop
- Vertical and horizontal adjuster for precise carriage position and taper removal

OPTIONAL EQUIPMENT:

- 220v to 110v Step-down Transformer
- ACCU-Touch 3 Control: Automation for Spin and Relief
- Electric Overhead Hoist for Front or Rear Load
- Internal Vacuum System collects dust and keeps shop area clean
- Workstation Table-Lift/Portable Workbench for rear load

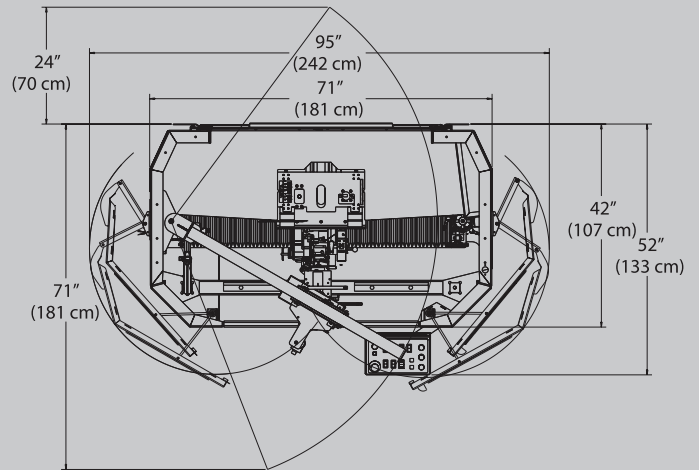
Because Foley United is continually improving its products, specifications are subject to change without notice.



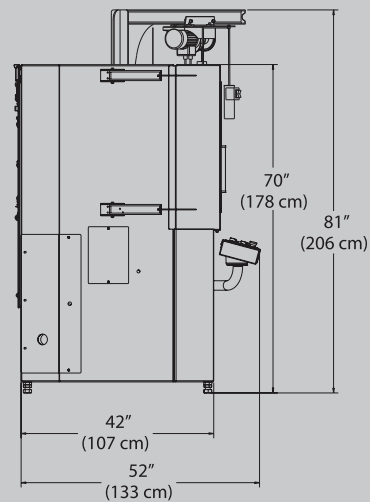
A Division of Foley-Belsaw
River Falls, Wisconsin 54022

www.foleyunited.com

DIMENSIONS:

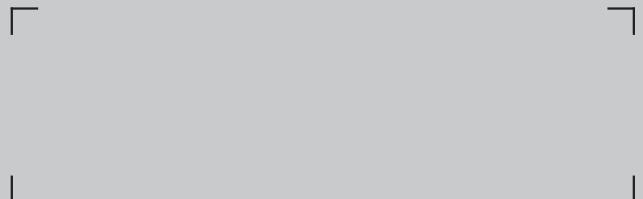


TOP VIEW



SIDE VIEW

Distributed By:



THE HIGHEST QUALITY GRIND IN THE WORLD JUST GOT EASIER!